

TECHICAL SPECIFICATION

Set NA plug SFP + Welded Screw Eye SCF

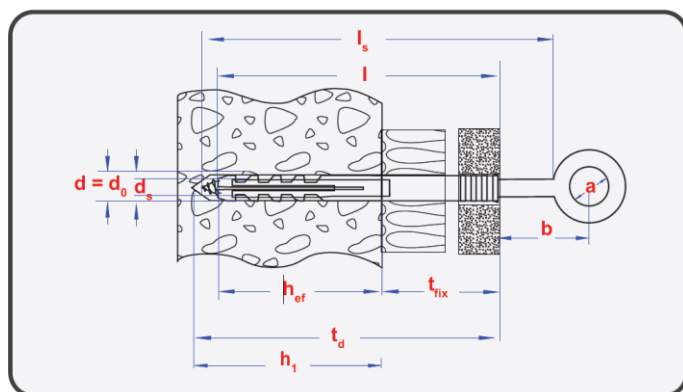
kamfix



Intended use or uses

For fastening facade scaffolding, climbing scaffolding, support ropes, safety belts.

Technical parameters:



- d – Plug Diameter
- l – Plug length
- d0 – Drill Diameter
- h1- Penetration depth = $t_d - t_{fix}$
- tfix - Insulation thickness
- hef - Effective anchoring depth
- ds - Welded Screw Eye Diameter
- ls - Welded Screw Eye length
- a –Screw Eye inner diameter

Set NA plug SFP + Welded Screw Eye SCF	d,mm	l,mm	ds,mm	ls,mm	d0, mm	h1,mm	hef,mm
14x75 + 12x120	14	75	12	120	14	80	70
14x75 + 12x160	14	75	12	160	14	80	70
14x75 + 12x190	14	75	12	190	14	80	70
14x75 + 12x230	14	75	12	230	14	80	70
16x100 + 12x160	16	100	12	160	16	110	70
16x100 + 12x190	16	100	12	190	16	110	70
16x100 + 12x230	16	100	12	230	16	110	70
16x100 + 12x300	16	100	12	300	16	110	70

Material:

- Plug – Nylon
- Welded Screw Eye – Galvanized steel

Installation:

